

CENTRIFUGAL PUMP

EMC



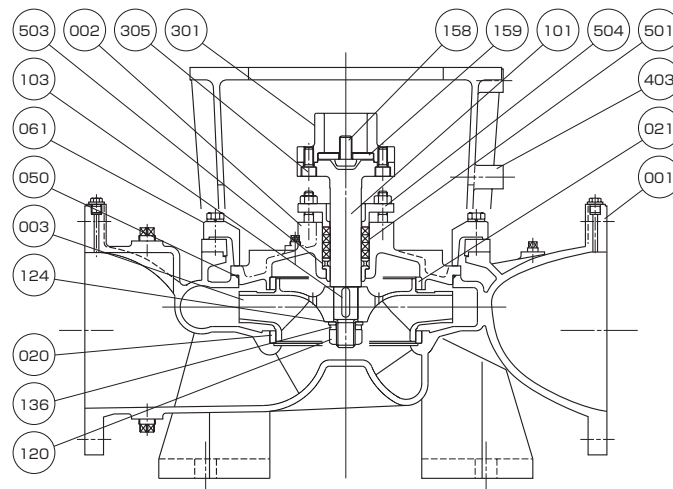
Application

Cooling Fresh Water Pump
Cooling Sea Water Pump
Sea Water Service Pump

Feature

Vertical Single-stage Single-suction
Closed Coupling Type

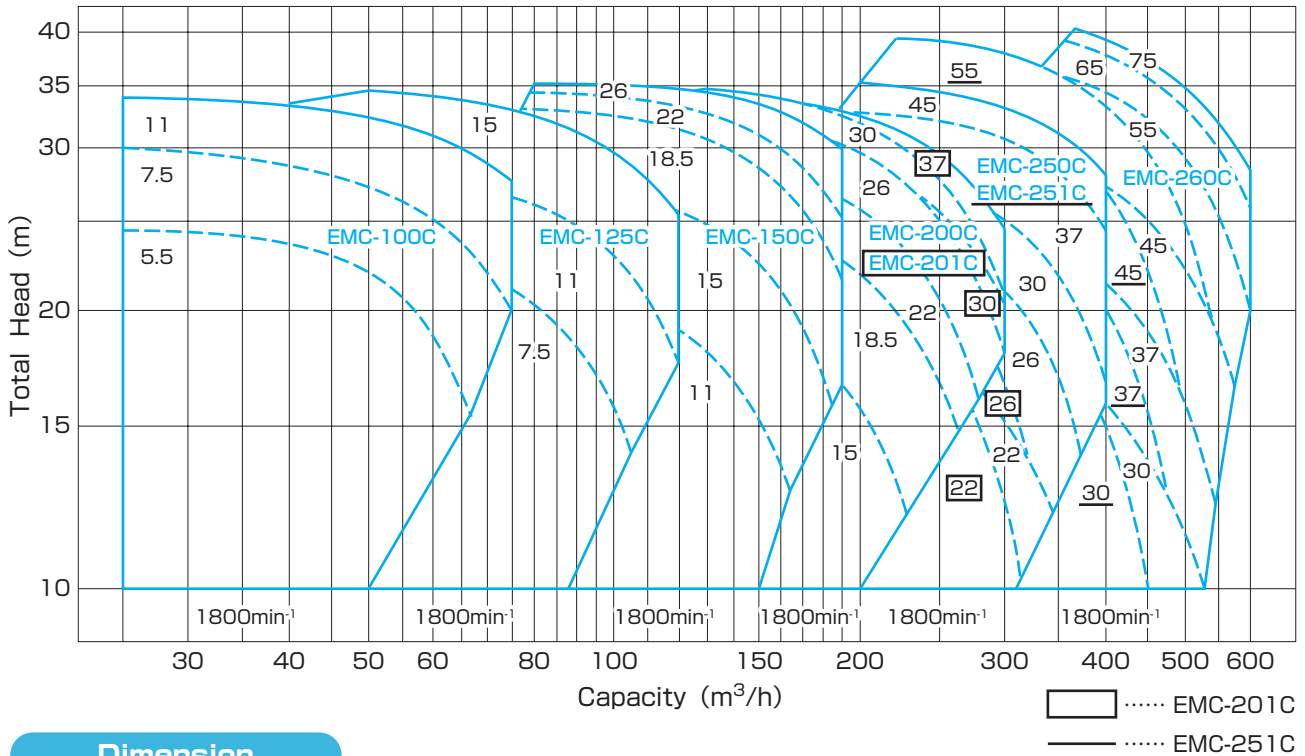
Structure & Material



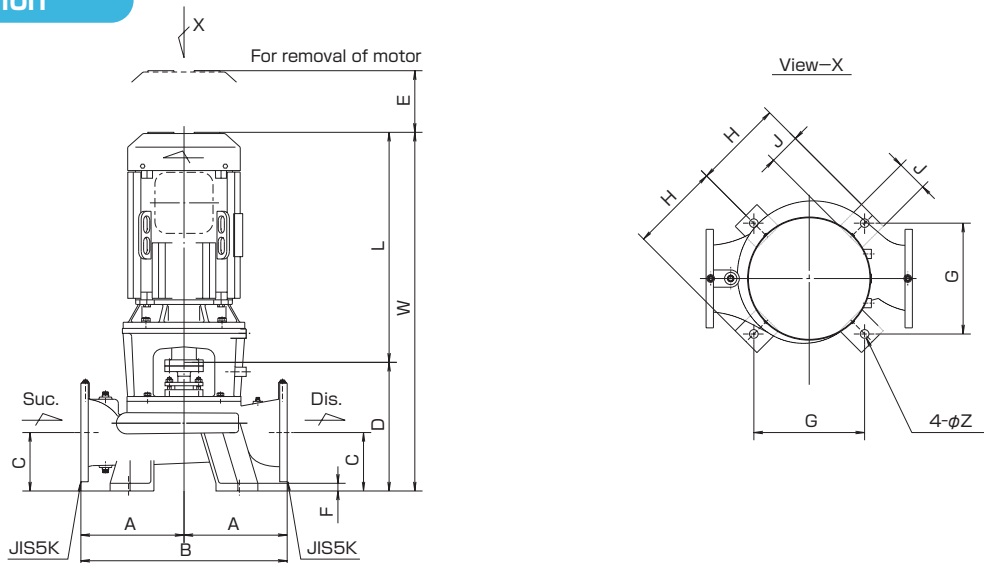
Part No.	Name	Req. No.	Sea Water		Fresh Water	
			Material	JIS	Material	JIS
001	CASING	1	BRONZE	CAC402	CAST IRON	FC200
002	CASING COVER	1	BRONZE	CAC402	CAST IRON	FC200
003	IMPELLER	1	PHOSPHOR BRONZE	CAC502A	PHOSPHOR BRONZE	CAC502A
020	CASING RING	1	BRONZE	CAC402	BRONZE	CAC402
021	CASING RING	1	BRONZE	CAC402	BRONZE	CAC402
050	O-RING	1	RUBBER	NBR	RUBBER	NBR
061	FIXING PLATE	8	DUCTILE CAST IRON	FCD400	DUCTILE CAST IRON	FCD400
101	SHAFT	1	STAINLESS STEEL	SUS304	STAINLESS STEEL	SUS304
103	IMPELLER KEY	1	STAINLESS STEEL	SUS304	STAINLESS STEEL	SUS304
120	IMPELLER NUT	1	STAINLESS STEEL	SUS304	STAINLESS STEEL	SUS304

Part No.	Name	Req. No.	Sea Water		Fresh Water	
			Material	JIS	Material	JIS
124	IMPELLER WASHER	1	STAINLESS STEEL	SUS304	STAINLESS STEEL	SUS304
136	SPRING WASHER	1	STAINLESS STEEL	SUS304	STAINLESS STEEL	SUS304
158	SET SCREW	1	Cr-Mo STEEL	SCM435	Cr-Mo STEEL	SCM435
159	STOPPER RING	1	MILD STEEL	SS400	MILD STEEL	SS400
301	COUPLING	1	MILD STEEL	SS400	MILD STEEL	SS400
305	COUPLING BOLT	4	Cr-Mo STEEL	SCM435	Cr-Mo STEEL	SCM435
403	FRAME	1	CAST IRON	FC200	CAST IRON	FC200
501	GLAND PACKING	4	CARBONIZED FIBER	—	CARBONIZED FIBER	—
503	LANTERN RING	1	BRONZE	CAC402	BRONZE	CAC402
504	GLAND	1	BRONZE	CAC402	BRONZE	CAC402

Performance



Dimension



Model No.	Motor		Bore		Dimension(mm)											
	kW	min ⁻¹	Suc.	Dis.	A	B	C	D	E	F	G	H	J	L	W	Z
EMC-100C	5.5	1800	100	100	280	560	150	360	150	25	290	240	100	480	840	28
	7.5								200					595	955	
	11								200					480	850	
EMC-125C	7.5	1800	125	125	300	600	160	370	150	25	290	240	100	480	850	28
	11								200					595	965	
	15								200					635	1005	
EMC-150C	11	1800	150	150	315	630	160	393	150	25	360	290	100	595	988	28
	15								200					635	1028	
	18.5								200					725	1118	
EMC-200C EMC-201C	22	1800	200	200	335	670	190	418	200	25	360	290	100	635	1053	28
	26								200					685	1078	
	30								200					725	1118	
EMC-250C EMC-251C	15	1800	250	250	400	800	220	490	200	25	410	325	100	685	1103	28
	22								200					725	1215	
	26								200					800	1218	
EMC-260C	30	1800	250	250	400	800	220	520	200	25	410	325	100	685	1175	28
	37								200					725	1245	
	45								200					800	1290	
	55	1800	250	250	400	800	220	520	250	25	410	325	100	950	1440	28
	65								250					725	1245	
	75								250					800	1320	