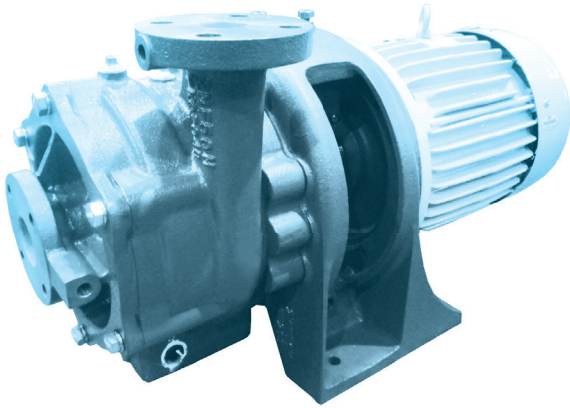


# CENTRIFUGAL PUMP

## 2MF



### Application

Boiler Feed Water Pump

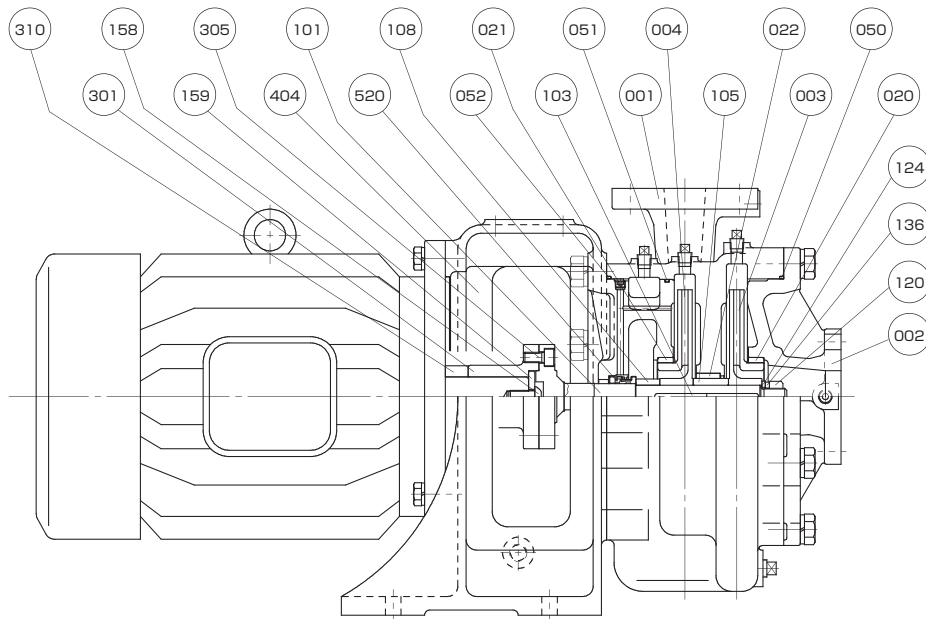
### Feature

Horizontal Two-stage

Single-suction

Closed Coupaing Type

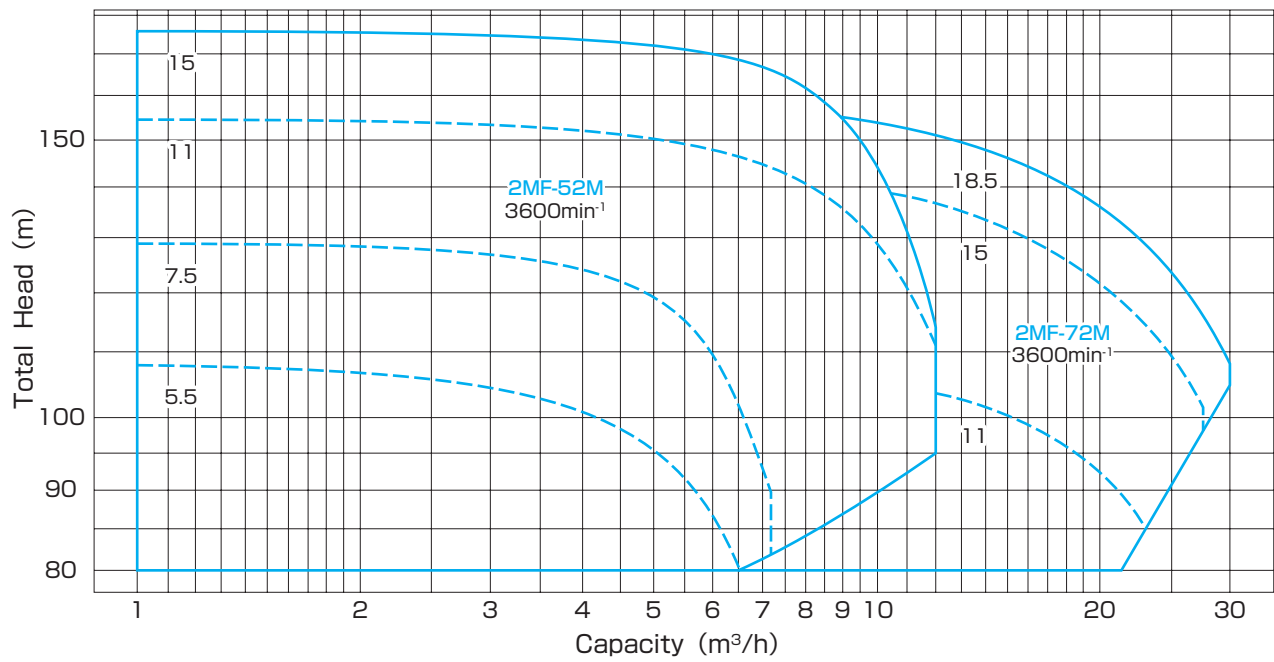
### Structure & Material



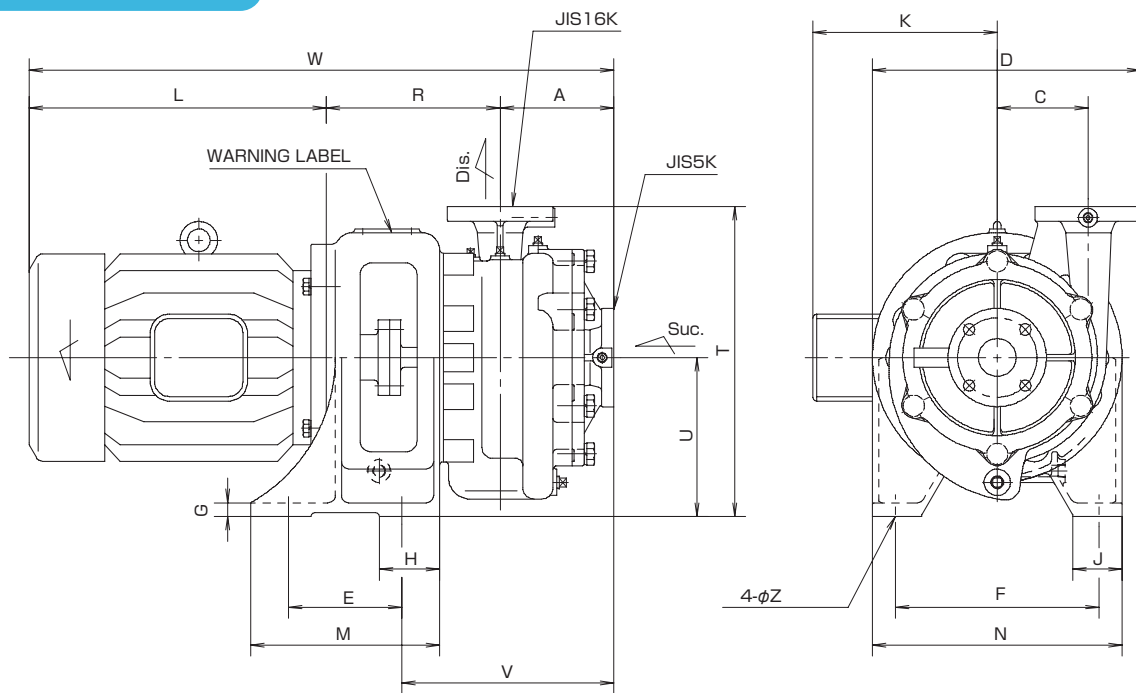
Part No.	Name	Req. No.	Fresh Water	
			Material	JIS
001	CASING	1	CAST IRON	FC200
002	CASING COVER	1	CAST IRON	FC200
003	IMPELLER	1	STAINLESS STEEL	SCS13
004	IMPELLER	1	STAINLESS STEEL	SCS13
020	CASING RING	1	CAST IRON	FC200
021	CASING RING	1	CAST IRON	FC200
022	STAGE BUSH	1	RESIN	
050	O-RING	1	RUBBER	NBR
051	O-RING	1	RUBBER	NBR
052	O-RING	1	RUBBER	NBR
101	SHAFT	1	STAINLESS STEEL	SUS304
103	KEY	1	STAINLESS STEEL	SUS304

Part No.	Name	Req. No.	Fresh Water	
			Material	JIS
105	SLEEVE	1	STAINLESS STEEL	SUS304
108	SPACER	1	STAINLESS STEEL	SUS304
120	IMPELLER NUT	1	STAINLESS STEEL	SUS304
124	IMPELLER WASHER	1	STAINLESS STEEL	SUS304
136	SPRING WASHER	1	STAINLESS STEEL	SUS304
158	SET SCREW	1	Cr-Mo STEEL	SCM435
159	STOPPER RING	1	MILD STEEL	SS400
301	COUPLING	1	MILD STEEL	SS400
305	COUPLING BOLT	4	Cr-Mo STEEL	SCM435
310	SPACER	1	CARBON STEEL	S45C
404	PUMP FRAME	1	CAST IRON	FC200
520	MECHANICAL SEAL	1	Sic & CARBON	—

## Performance



## Dimension



Model No.	Motor		Bore		Dimension(mm)																	
	kW	min <sup>-1</sup>	Suc.	Dis.	A	C	D	E	F	G	H	J	K	L	M	N	R	T	U	V	W	Z
2MF-52M	5.5	3600	50	40	150	120	355	150	270	18	80	65	245	375	250	330	230	410	210	280	755	φ15
	7.5				150	120	355	180	270	20	80	75	285	485	280	350	260	425	225	280	895	φ19
	11				150	120	355	180	270	20	80	75	285	485	280	350	260	425	225	280	895	φ19
2MF-72M	11	3600	65	50	175	120	375	180	270	20	80	75	285	485	280	350	262	425	225	307	922	φ19
	15				175	120	375	180	270	20	80	75	285	485	280	350	262	425	225	307	922	φ19
	18.5				175	120	375	180	270	20	80	75	285	525	280	350	262	425	225	307	962	φ19